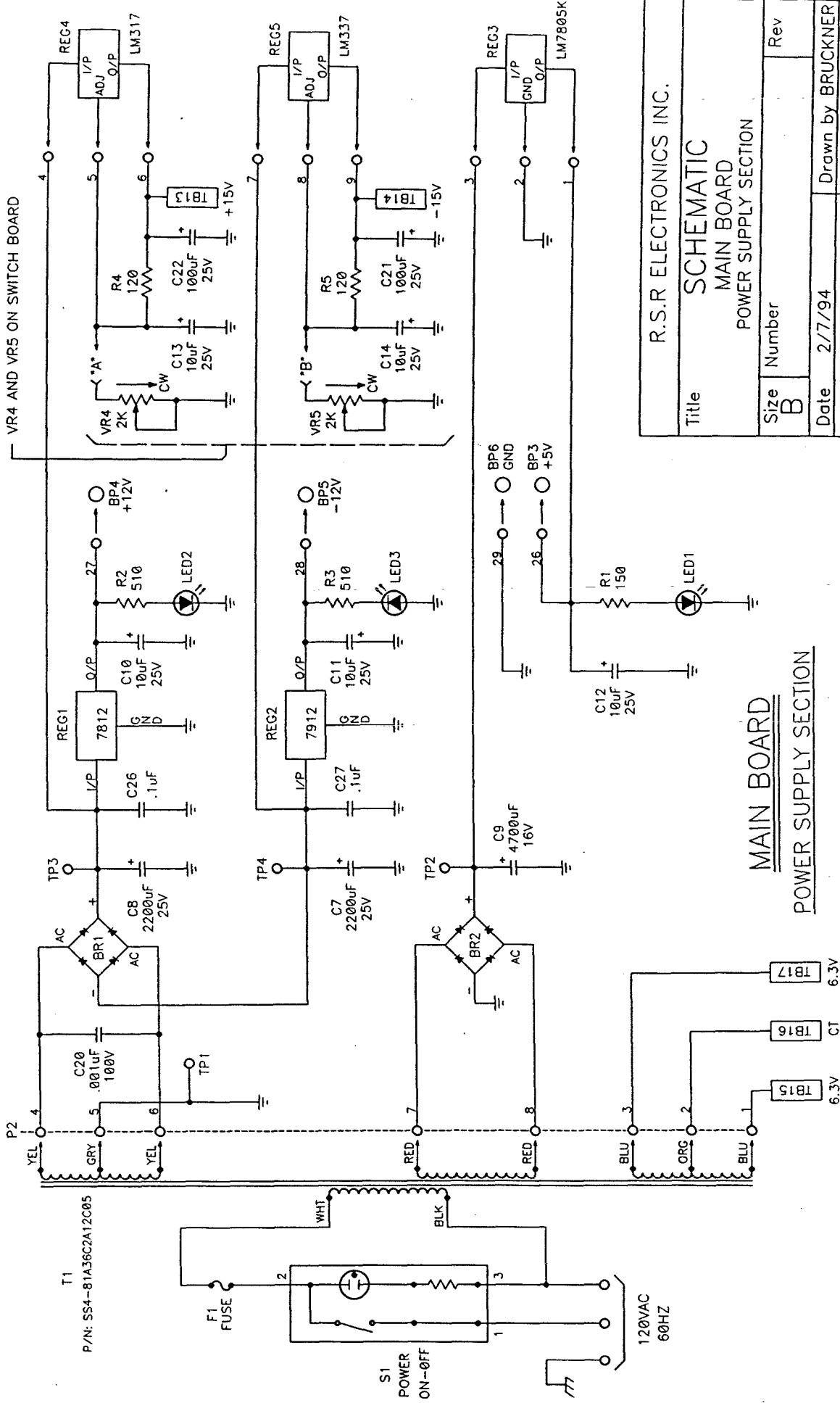


R.S.R ELECTRONICS INC.

Title		SCHEMATIC	
Size		B	
Date		3/27/95	
Sheet		of	
Drawn by		BRUCKNER	
Approved by		D	
Function Generator Section		Rev	
MAIN BOARD		A	

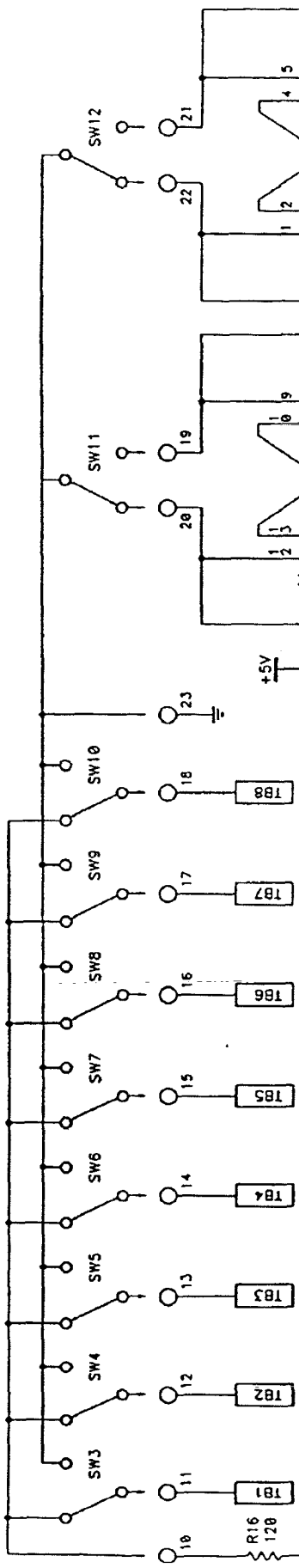
TO MAIN BOARD
POWER SUPPLY SECTION
MAIN BOARD
FUNCTION GENERATOR SECTION

SWITCH BOARD

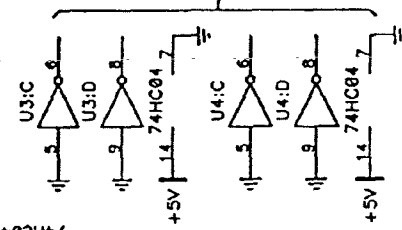
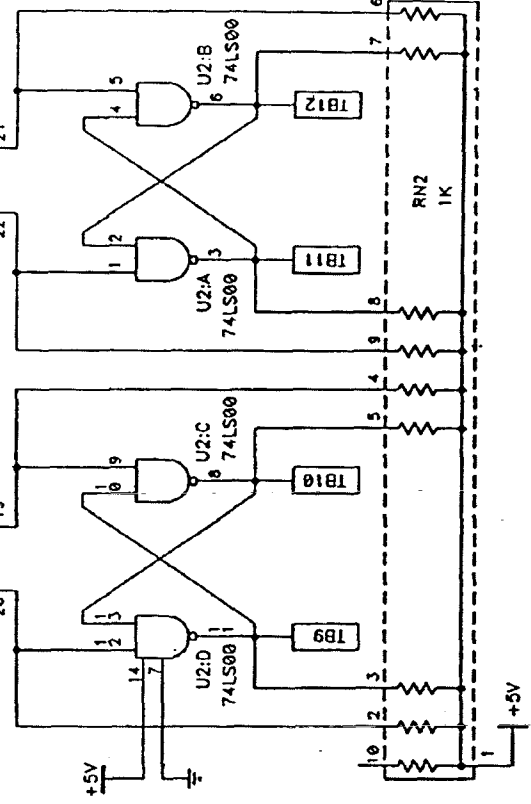
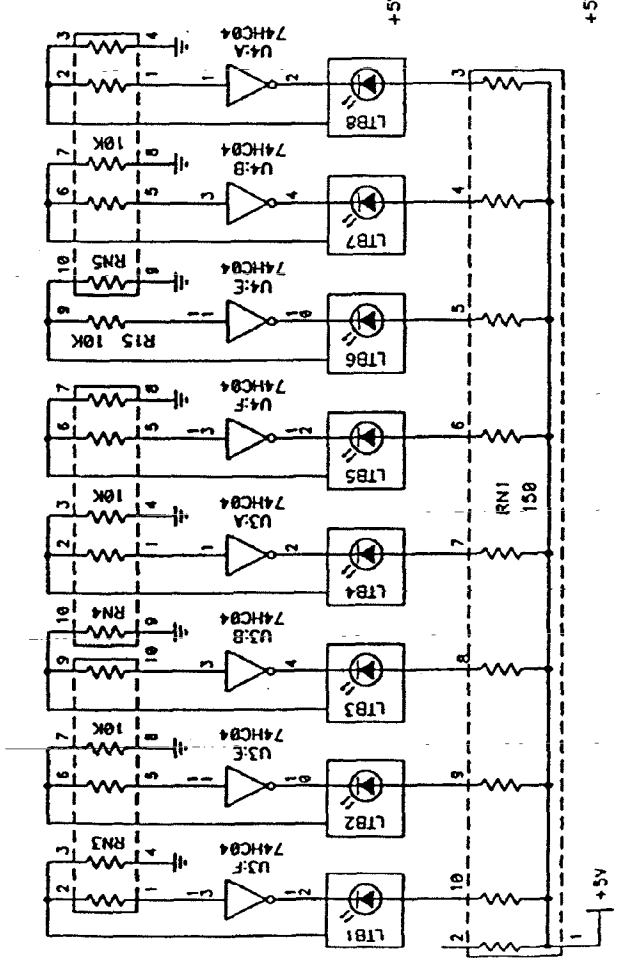


MAIN BOARD
POWER SUPPLY SECTION

R.S.R ELECTRONICS INC.	
Title SCHEMATIC MAIN BOARD POWER SUPPLY SECTION	
Size B	Number
Date 2/7/94	Rev
Sheet of	Drawn by BRUCKNER
	Approved by



MAIN BOARD
DIGITAL SECTION



R.S.R ELECTRONICS INC.	
SCHEMATIC	
MAIN BOARD	
DIGITAL SECTION	
Title	
Size	Number
Date	2/7/94
Sheet	of
Rev	
Drawn by BRUCKNER	
Approved by	