

# Multi Color LED

Back to [Multi Color LED](#) Main Page

Part No. 08L5015RGBC

## Φ5.00mm ROUND FULL COLOR LED LAMPS

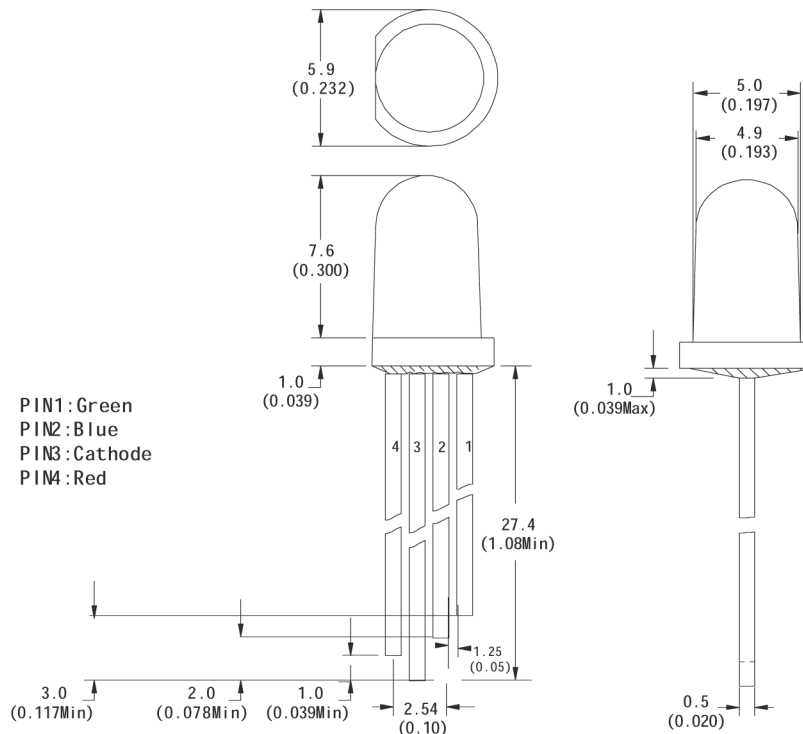
### ■ Features:

- 256 Color Capability with Red, Green and Blue Chips
- High Intensity Illumination
- Reliable and Rugged
- IC Compatible/Low Current Capability
- Long Life-Solid State Reliability
- Easy Mounting On PCB or Sockets
- Low power requirement

### ■ Description

- R:AlGaInP Ultra Orange    G:InGaN/SiC Pure Green    B:InGaN/SiC Ultra Blue
- Water Clear

### ■ Package dimensions



### NOTES:

1. All dimension are in millimeters(inch).
2. An epoxy meniscus may extend about 1.5mm down to the lead.
3. Tolerances unless dimension  $\pm 0.25$ mm.

## Φ5.00mm ROUND FULL COLOR LED LAMPS

### ■ Absolute Maximum Ratings at Ta=25 °C

Parameter	Symbol	Ultra Orange	Pure Green	Ultra Blue	Unit
Forward Current	I <sub>F</sub>	30	30	25	mA
Power Dissipation	P <sub>d</sub>	60	120	120	mW
Reverse Voltage	V <sub>R</sub>	5	5	5	V
Peak Forward Current (Duty 1/10 @1KHZ)	I <sub>PF</sub>	150	120	120	mA
Operation Temperature	T <sub>OPR</sub>	-40 to +80			°C
Storage Temperature	T <sub>STG</sub>	-40 to +85			°C
Lead Soldering Temperature	T <sub>SOL</sub>	Max.260 ± 5 °C for 3 sec Max.			°C

### ■ Electronic Optical Characteristics at Ta=25 °C

Items	Symbol	Color	Min.	Typ.	Max.	Unit	Condition
Forward Voltage	V <sub>F</sub>	Ultra Orange	-	2.00	2.50	V	I <sub>F</sub> =20mA
		Pure Green	-	3.50	4.00		
		Ultra Blue	-	3.50	4.00		
Reverse Current	I <sub>R</sub>		-	-	50	uA	V <sub>R</sub> =5V
Peak Wavelength	λ <sub>P</sub>	Ultra Orange	-	632	-	nm	I <sub>F</sub> =20mA
		Pure Green	-	525	-		
		Ultra Blue	-	470	-		
Spectrum Line Half width	Δλ	Ultra Orange	-	20	-	nm	I <sub>F</sub> =20mA
		Pure Green	-	36	-		
		Ultra Blue	-	30	-		
Luminous Intensity	I <sub>V</sub>	Ultra Orange	-	800	-	mcd	I <sub>F</sub> =20mA
		Pure Green	-	4000	-		
		Ultra Blue	-	1500	-		